



Brief introduction :

The strainer may be used on all types of pipelines to collect granulated foreign substances and contaminants collected. It can improve the clearance in the medium, and prolong the life of valves and other equipments. It is suitable for water, petroleum and steam.

Material & material

Body: gray cast iron, cast iron, ductile iron

Filter: stainless steel

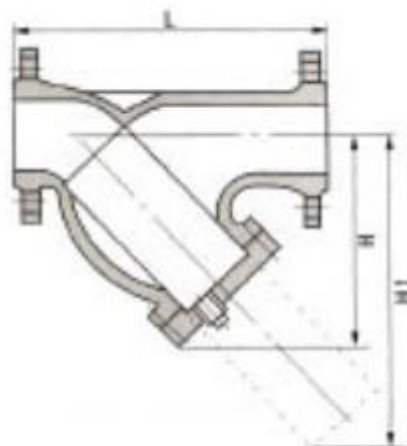
O-ring: NBR

Technical Specification

-Nominal diameter : 65~500mm

-Nominal pressure : 1.0/1.6/2.5Mpa

Main external and connection dimension





Office Address
 SAIF ZONE | PO Box 8047
 Sharjah, UAE.
 Skype: Unitech Trading (unitechtrading)
 Tel / Fax 00971-6-544-8882
 Email <mailto:info@unitechtrading.com>

PRODUCT - STRAINER

Y STRAINER

SG41H-10/SG41H-16/SG41H-25											mm	
DN	65	80	100	125	150	200	250	300	350	400	450	500
L	250	280	350	400	440	500	580	670	780	850	850	1000
H	198	210	250	305	358	450	503	578	598	618	693	765
H1	270	295	344	422	485	602	710	815	844	872	978	1080